

Application:

- Suitable for use as an electrical junction box, terminal box, and instrument housing
- Designed for indoor use and will protect components from falling dust, dirt, oil, and water

Enclosure features:

- Fabricated from 16 or 14 gauge steel with seam welds that are ground smooth
- Door is held closed with polished 304 stainless steel clamps
- Continuously hinged door allows for easy access to internal components
- Includes a removable 14 gauge steel sub plate
- Door gasket is seamless foam-in-place polyurethane
- Ground nuts are included on both the door and enclosure body
- Mounting feet are formed from enclosure body, reducing potential corrosion
- Enclosure is finished in ANSI-61 grey polyester powder coating over a phosphated surface
- Sub plate is finished in a white polyester powder coating over a phosphated surface

Industry Standards:

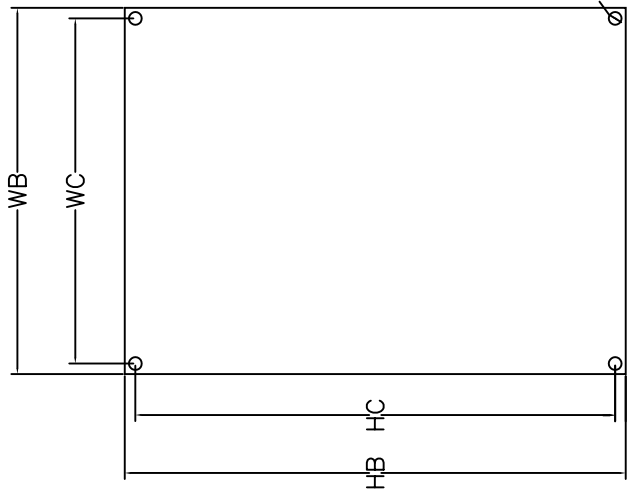
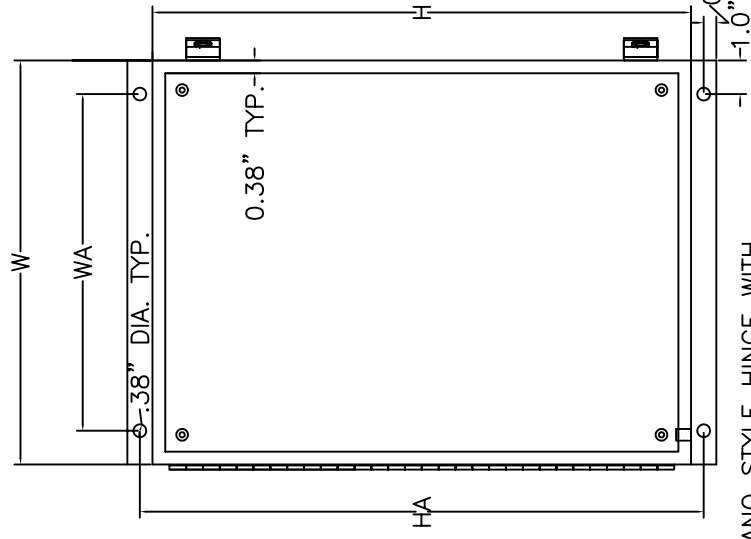
- NEMA 12
- CSA Type 12
- UL Type 12

Approval:

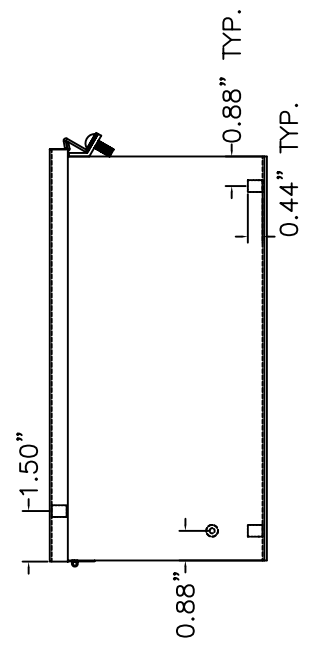
- CSA NRTL/C approved
- UL approved

THE SUB PLATE IS SUPPORTED INSIDE THE ENCLOSURE USING 4 WELD NUTS. NO SUB PLATE IS AVAILABLE FOR THE JH12-040403.

FRONT VIEW WITH NO DOOR



PIANO STYLE HINGE WITH REMOVABLE 0.91\"/>



SECTION Z-Z

NOTE 1: ALL WELD NUTS ARE SUPPLIED WITH 10-32 SCREWS AND WASHERS
 NOTE 2: WHEN HEIGHT IS 4\"/>

REV	DESCRIPTION	DATE	APPVL
	EDI		
	NEMA 12 JIC STYLE ENCLOSURE WITH HINGED DOOR		
	MODEL NUMBER SERIES JH12		

EDI**NEMA 12 JIC ENCLOSURE WITH
HINGED COVER - SERIES JH12**

Box Size			Box Mounting				Plate size		Plate mounting		CLAMPS
H	W	D	Model	Weight	HA	WA	HB	WB	HC	WC	
4	4	3	JH12040403	2	4.75	2	0	0	0	0	1
4	4	4	JH12040404	2	4.75	2	0	0	0	0	1
4	6	3	JH12040603	3	4.75	4	2.88	4.88	2.25	4.25	1
6	4	3	JH12060403	3	6.75	2	4.88	2.88	4.25	2.25	1
6	4	4	JH12060404	3	6.75	2	4.88	2.88	4.25	2.25	1
6	6	3	JH12060603	4	6.75	4	4.88	4.88	4.25	4.25	1
6	6	4	JH12060604	5	6.75	4	4.88	4.88	4.25	4.25	1
6	6	5	JH12060605	6	6.75	4	4.88	4.88	4.25	4.25	1
6	6	6	JH12060606	6	6.75	4	4.88	4.88	4.25	4.25	1
6	8	4	JH12060804	6	6.75	6	4.88	6.75	4.25	6.25	1
6	8	5	JH12060805	6	6.75	6	4.88	6.75	4.25	6.25	1
6	10	4	JH12061004	8	6.75	8	4.88	8.75	4.25	8.25	1
6	10	5	JH12061005	9	6.75	8	4.88	8.75	4.25	8.25	1
6	12	4	JH12061204	13	6.75	10	4.88	10.75	4.25	10.25	1
6	12	5	JH12061205	14	6.75	10	4.88	10.75	4.25	10.25	1
8	6	3	JH12080603	6	8.75	4	6.75	4.88	6.25	4.25	2
8	6	4	JH12080604	6	8.75	4	6.75	4.88	6.25	4.25	2
8	6	5	JH12080605	6	8.75	4	6.75	4.88	6.25	4.25	2
8	6	6	JH12080606	6	8.75	4	6.75	4.88	6.25	4.25	2
8	8	4	JH12080804	8	8.75	6	6.75	6.88	6.25	6.25	2
8	8	5	JH12080805	9	8.75	6	6.75	6.88	6.25	6.25	2
8	8	6	JH12080806	10	8.75	6	6.75	6.88	6.25	6.25	2
8	10	4	JH12081004	10	8.75	8	6.88	8.75	6.25	8.25	2
8	10	5	JH12081005	11	8.75	8	6.88	8.75	6.25	8.25	2
8	10	6	JH12081006	12	8.75	8	6.88	8.75	6.25	8.25	2
8	12	4	JH12081204	12	8.75	10	6.88	10.75	6.25	10.25	2
8	12	5	JH12081205	13	8.75	10	6.88	10.75	6.25	10.25	2
8	12	6	JH12081206	14	8.75	10	6.88	10.75	6.25	10.25	2
8	14	6	JH12081406	17	8.75	12	6.88	12.75	6.25	12.25	2
10	6	4	JH12100604	8	10.75	4	8.75	4.88	8.25	4.25	2
10	6	5	JH12100605	9	10.75	4	8.75	4.88	8.25	4.25	2
10	8	4	JH12100804	10	10.75	6	8.75	6.88	8.25	6.25	2
10	8	5	JH12100805	11	10.75	6	8.75	6.88	8.25	6.25	2
10	8	6	JH12100806	12	10.75	6	8.75	6.88	8.25	6.25	2
10	10	4	JH12101004	11	10.75	8	8.75	8.88	8.25	8.25	2
10	10	5	JH12101005	12	10.75	8	8.75	8.88	8.25	8.25	2

**1-877-EDIRECT (334-7328)
ENCLOSURES DIRECT INC.****FAX: (613) 723-4479
sales@buyedi.com**



NEMA 12 JIC ENCLOSURE WITH HINGED COVER - SERIES JH12

Box Size			Box Mounting				Plate size		Plate mounting		CLAMPS
H	W	D	Model	Weight	HA	WA	HB	WB	HC	WC	
10	10	6	JH12101006	13	10.75	8	8.75	8.88	8.25	8.25	2
10	10	8	JH12101008	14	10.75	8	8.75	8.88	8.25	8.25	2
10	12	4	JH12101204	13	10.75	10	8.88	10.75	8.25	10.25	2
10	12	5	JH12101205	14	10.75	10	8.88	10.75	8.25	10.25	2
10	12	6	JH12101206	15	10.75	10	8.88	10.75	8.25	10.25	2
10	12	8	JH12101208	17	10.75	10	8.88	10.75	8.25	10.25	2
10	14	6	JH12101406	17	10.75	12	8.88	12.75	8.25	12.25	2
10	14	8	JH12101408	19	10.75	12	8.88	12.75	8.25	12.25	2
10	16	6	JH12101606	20	10.75	14	8.88	14.75	8.25	14.25	2
10	16	8	JH12101608	22	10.75	14	8.88	14.75	8.25	14.25	2
12	6	4	JH12120604	13	12.75	4	10.75	4.88	10.25	4.25	2
12	6	5	JH12120605	14	12.75	4	10.75	4.88	10.25	4.25	2
12	8	4	JH12120804	12	12.75	6	10.75	6.88	10.25	6.25	2
12	8	5	JH12120805	13	12.75	6	10.75	6.88	10.25	6.25	2
12	8	6	JH12120806	14	12.75	6	10.75	6.88	10.25	6.25	2
12	10	4	JH12121004	13	12.75	8	10.75	8.88	10.25	8.25	2
12	10	5	JH12121005	14	12.75	8	10.75	8.88	10.25	8.25	2
12	10	6	JH12121006	15	12.75	8	10.75	8.88	10.25	8.25	2
12	10	8	JH12121008	17	12.75	8	10.75	8.88	10.25	8.25	2
12	12	4	JH12121204	16	12.75	10	10.75	10.88	10.25	10.25	2
12	12	5	JH12121205	17	12.75	10	10.75	10.88	10.25	10.25	2
12	12	6	JH12121206	4	12.75	10	10.75	10.88	10.25	10.25	2
12	12	8	JH12121208	20	12.75	10	10.75	10.88	10.25	10.25	2
12	12	10	JH12121210	22	12.75	10	10.75	10.88	10.25	10.25	2
12	14	6	JH12121406	20	12.75	12	10.88	12.75	10.25	12.25	2
12	14	8	JH12121408	22	12.75	12	10.88	12.75	10.25	12.25	2
12	14	10	JH12121410	24	12.75	12	10.88	12.75	10.25	12.25	2
12	16	6	JH12121606	22	12.75	14	10.88	14.75	10.25	14.25	2
12	16	8	JH12121608	25	12.75	14	10.88	14.75	10.25	14.25	2
12	16	10	JH12121610	27	12.75	14	10.88	14.75	10.25	14.25	2
14	8	6	JH12140806	17	14.75	6	12.75	6.88	12.25	6.25	2
14	10	6	JH12141006	17	14.75	8	12.75	8.88	12.25	8.25	2
14	10	8	JH12141008	19	14.75	8	12.75	8.88	12.25	8.25	2
14	12	6	JH12141206	20	14.75	10	12.75	10.88	12.25	10.25	2
14	12	8	JH12141208	22	14.75	10	12.75	10.88	12.25	10.25	2
14	12	10	JH12141210	24	14.75	10	12.75	10.88	12.25	10.25	2

1-877-EDIRECT (334-7328)
ENCLOSURES DIRECT INC.

FAX: (613) 723-4479
sales@buyedi.com



NEMA 12 JIC ENCLOSURE WITH HINGED COVER - SERIES JH12

Box Size			Model	Weight	Box Mounting		Plate size		Plate mounting		CLAMPS
H	W	D			HA	WA	HB	WB	HC	WC	
14	14	6	JH12141406	22	14.75	12	12.75	12.88	12.25	12.25	2
14	14	8	JH12141408	25	14.75	12	12.75	12.88	12.25	12.25	2
14	14	10	JH12141410	27	14.75	12	12.75	12.88	12.25	12.25	2
14	16	6	JH12141606	23	14.75	14	12.88	14.75	12.25	14.25	2
14	16	8	JH12141608	26	14.75	14	12.88	14.75	12.25	14.25	2
14	16	10	JH12141610	29	14.75	14	12.88	14.75	12.25	14.25	2
16	10	6	JH12161006	20	16.75	8	14.75	8.88	14.25	8.25	2
16	10	8	JH12161008	22	16.75	8	14.75	8.88	14.25	8.25	2
16	12	6	JH12161206	22	16.75	10	14.75	10.88	14.25	10.25	2
16	12	8	JH12161208	25	16.75	10	14.75	10.88	14.25	10.25	2
16	12	10	JH12161210	27	16.75	10	14.75	10.88	14.25	10.25	2
16	14	6	JH12161406	23	16.75	12	14.75	12.88	14.25	12.25	2
16	14	8	JH12161408	26	16.75	12	14.75	12.88	14.25	12.25	2
16	14	10	JH12161410	29	16.75	12	14.75	12.88	14.25	12.25	2

1-877-EDIRECT (334-7328)
ENCLOSURES DIRECT INC.

FAX: (613) 723-4479
sales@buyedi.com