

**Application:**

- Suitable for use as an electrical junction box, terminal box, and instrument housing
- Designed for indoor or outdoor use and will protect components from dust, dirt, oil, hose directed water, and other contaminants in highly corrosive environments when sanitary conditions are a requirement

**Enclosure features:**

- Fabricated from 16 or 14 gauge 316L stainless steel with seam welds that are ground smooth
- Lift-off cover is secured with polished 316L stainless steel clamps
- Includes a removable 14 gauge steel sub plate
- Door gasket is seamless foam-in-place polyurethane
- Ground nuts are included on both the door and enclosure body
- Mounting feet are formed from enclosure body, reducing potential corrosion
- Enclosure exterior polished to a # 4 finish
- Sub plate is finished in a white polyester powder coating over a phosphated surface

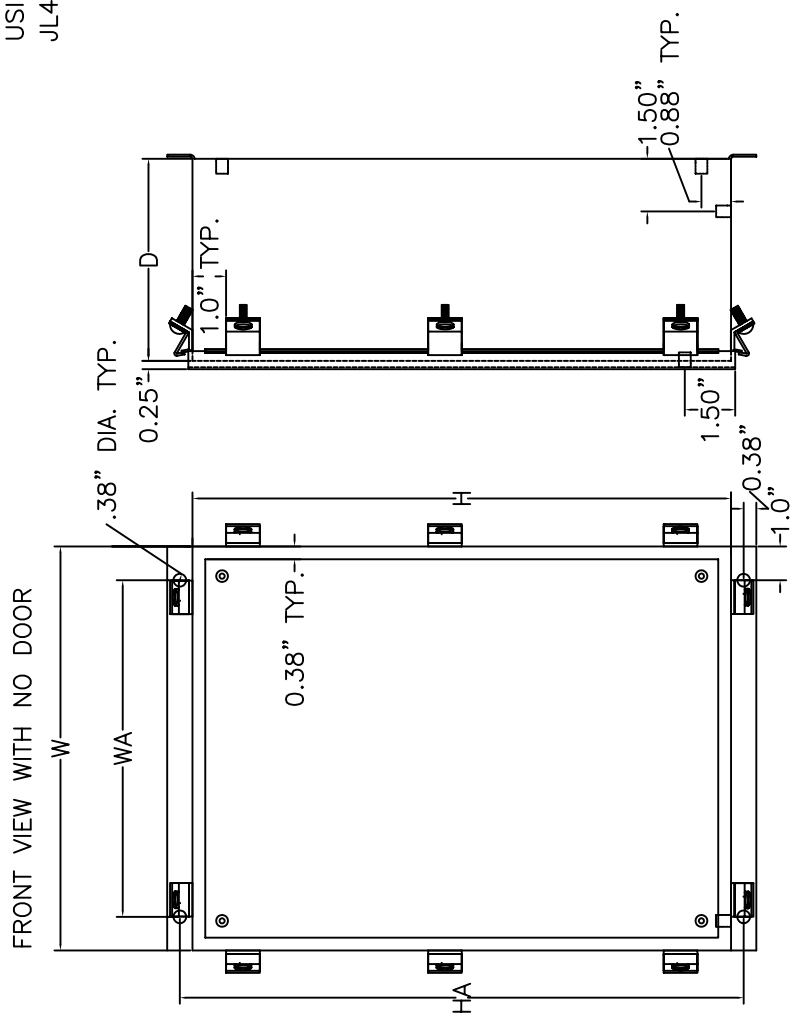
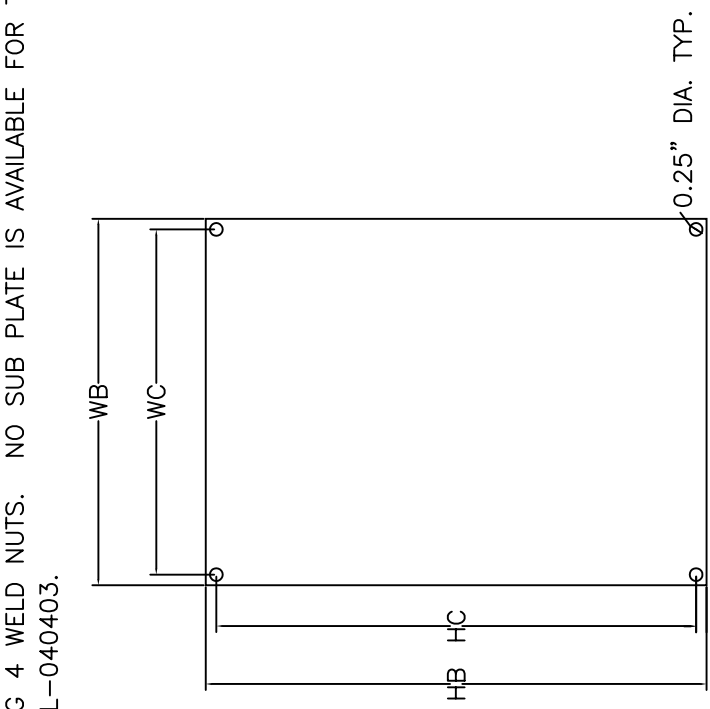
**Industry Standards:**

- NEMA 4X
- CSA Type 4X
- UL Type 4X

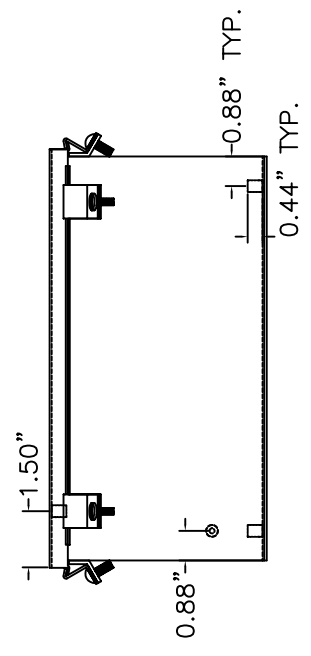
**Approval:**

- CSA NRTL/C approved
- UL approved

THE SUB PLATE IS SUPPORTED INSIDE THE ENCLOSURE USING 4 WELD NUTS. NO SUB PLATE IS AVAILABLE FOR THE JL4SL-040403.



NOTE 1: ALL WELD NUTS ARE SUPPLIED WITH 10-32 SCREWS AND WASHERS



0.25" X 0.75" GASKET INSIDE PERIMETER OF DOOR

SECTION Z-Z

| REV | DESCRIPTION   | DATE | APPVL |
|-----|---|------|-------|
|     | <b>EDI</b>  |      |       |
|     | NEMA 4X 316L SS JIC STYLE ENCLOSURE WITH LIFT OFF COVER |      |       |
|     | MODEL NUMBER SERIES JL4SL                               |      |       |

**EDI****NEMA 4X 316L STAINLESS STEEL JIC ENCLOSURE  
WITH LIFT-OFF COVER - SERIES JL4SL**

| Box Size |    |   | Box Mounting |        |       | Plate size |      | Plate mounting |      | Clamps |      |     |        |
|----------|----|---|--------------|--------|-------|------------|------|----------------|------|--------|------|-----|--------|
| H        | W  | D | Model        | Weight | HA    | WA         | HB   | WB             | HC   | WC     | SIDE | TOP | BOTTOM |
| 4        | 4  | 3 | JL4SL040403  | 2      | 4.75  | 2          | 0    | 0              | 0    | 0      | 2    | 1   | 1      |
| 4        | 6  | 3 | JL4SL040603  | 3      | 4.75  | 4          | 2.88 | 4.88           | 2.25 | 4.25   | 2    | 1   | 1      |
| 6        | 4  | 3 | JL4SL060403  | 3      | 6.75  | 2          | 4.88 | 2.88           | 4.25 | 2.25   | 2    | 1   | 1      |
| 6        | 6  | 3 | JL4SL060603  | 4      | 6.75  | 4          | 4.88 | 4.88           | 4.25 | 4.25   | 2    | 1   | 1      |
| 6        | 6  | 4 | JL4SL060604  | 5      | 6.75  | 4          | 4.88 | 4.88           | 4.25 | 4.25   | 2    | 1   | 1      |
| 6        | 6  | 5 | JL4SL060605  | 6      | 6.75  | 4          | 4.88 | 4.88           | 4.25 | 4.25   | 2    | 1   | 1      |
| 6        | 8  | 4 | JL4SL060804  | 6      | 6.75  | 6          | 4.88 | 6.75           | 4.25 | 6.25   | 2    | 1   | 1      |
| 6        | 8  | 5 | JL4SL060805  | 6      | 6.75  | 6          | 4.88 | 6.75           | 4.25 | 6.25   | 2    | 1   | 1      |
| 6        | 10 | 4 | JL4SL061004  | 8      | 6.75  | 8          | 4.88 | 8.75           | 4.25 | 8.25   | 2    | 2   | 2      |
| 6        | 10 | 5 | JL4SL061005  | 9      | 6.75  | 8          | 4.88 | 8.75           | 4.25 | 8.25   | 2    | 2   | 2      |
| 6        | 12 | 4 | JL4SL061204  | 13     | 6.75  | 10         | 4.88 | 10.75          | 4.25 | 10.25  | 2    | 2   | 2      |
| 6        | 12 | 5 | JL4SL061205  | 14     | 6.75  | 10         | 4.88 | 10.75          | 4.25 | 10.25  | 2    | 2   | 2      |
| 8        | 4  | 4 | JL4SL080404  | 6      | 8.75  | 4          | 6.75 | 2.88           | 6.25 | 2.25   | 1    | 1   | 1      |
| 8        | 6  | 4 | JL4SL080604  | 6      | 8.75  | 4          | 6.75 | 4.88           | 6.25 | 4.25   | 2    | 1   | 1      |
| 8        | 6  | 5 | JL4SL080605  | 6      | 8.75  | 4          | 6.75 | 4.88           | 6.25 | 4.25   | 2    | 1   | 1      |
| 8        | 8  | 4 | JL4SL080804  | 8      | 8.75  | 6          | 6.75 | 6.88           | 6.25 | 6.25   | 2    | 1   | 1      |
| 8        | 8  | 5 | JL4SL080805  | 9      | 8.75  | 6          | 6.75 | 6.88           | 6.25 | 6.25   | 2    | 1   | 1      |
| 8        | 8  | 6 | JL4SL080806  | 10     | 8.75  | 6          | 6.75 | 6.88           | 6.25 | 6.25   | 2    | 1   | 1      |
| 8        | 10 | 4 | JL4SL081004  | 10     | 8.75  | 8          | 6.88 | 8.75           | 6.25 | 8.25   | 2    | 2   | 2      |
| 8        | 10 | 5 | JL4SL081005  | 11     | 8.75  | 8          | 6.88 | 8.75           | 6.25 | 8.25   | 2    | 2   | 2      |
| 8        | 10 | 6 | JL4SL081006  | 12     | 8.75  | 8          | 6.88 | 8.75           | 6.25 | 8.25   | 2    | 2   | 2      |
| 8        | 12 | 4 | JL4SL081204  | 12     | 8.75  | 10         | 6.88 | 10.75          | 6.25 | 10.25  | 2    | 2   | 2      |
| 8        | 12 | 5 | JL4SL081205  | 13     | 8.75  | 10         | 6.88 | 10.75          | 6.25 | 10.25  | 2    | 2   | 2      |
| 8        | 12 | 6 | JL4SL081206  | 14     | 8.75  | 10         | 6.88 | 10.75          | 6.25 | 10.25  | 2    | 2   | 2      |
| 8        | 14 | 6 | JL4SL081406  | 17     | 8.75  | 12         | 6.88 | 12.75          | 6.25 | 12.25  | 2    | 2   | 2      |
| 10       | 6  | 4 | JL4SL100604  | 8      | 10.75 | 4          | 8.75 | 4.88           | 8.25 | 4.25   | 4    | 1   | 1      |
| 10       | 6  | 5 | JL4SL100605  | 9      | 10.75 | 4          | 8.75 | 4.88           | 8.25 | 4.25   | 4    | 1   | 1      |
| 10       | 8  | 4 | JL4SL100804  | 10     | 10.75 | 6          | 8.75 | 6.88           | 8.25 | 6.25   | 4    | 1   | 1      |
| 10       | 8  | 5 | JL4SL100805  | 11     | 10.75 | 6          | 8.75 | 6.88           | 8.25 | 6.25   | 4    | 1   | 1      |
| 10       | 8  | 6 | JL4SL100806  | 12     | 10.75 | 6          | 8.75 | 6.88           | 8.25 | 6.25   | 4    | 1   | 1      |
| 10       | 10 | 4 | JL4SL101004  | 11     | 10.75 | 8          | 8.75 | 8.88           | 8.25 | 8.25   | 4    | 2   | 2      |
| 10       | 10 | 5 | JL4SL101005  | 12     | 10.75 | 8          | 8.75 | 8.88           | 8.25 | 8.25   | 4    | 2   | 2      |
| 10       | 10 | 6 | JL4SL101006  | 13     | 10.75 | 8          | 8.75 | 8.88           | 8.25 | 8.25   | 4    | 2   | 2      |
| 10       | 10 | 8 | JL4SL101008  | 14     | 10.75 | 8          | 8.75 | 8.88           | 8.25 | 8.25   | 4    | 2   | 2      |
| 10       | 12 | 4 | JL4SL101204  | 13     | 10.75 | 10         | 8.88 | 10.75          | 8.25 | 10.25  | 4    | 2   | 2      |
| 10       | 12 | 5 | JL4SL101205  | 14     | 10.75 | 10         | 8.88 | 10.75          | 8.25 | 10.25  | 4    | 2   | 2      |

**1-877-EDIRECT (334-7328)  
ENCLOSURES DIRECT INC.****FAX: (613) 723-4479  
sales@buyedi.com**

**EDI****NEMA 4X 316L STAINLESS STEEL JIC ENCLOSURE  
WITH LIFT-OFF COVER - SERIES JL4SL**

| Box Size |    |    | Box Mounting |        |       | Plate size |       | Plate mounting |       | Clamps |      |     |        |
|----------|----|----|--------------|--------|-------|------------|-------|----------------|-------|--------|------|-----|--------|
| H        | W  | D  | Model        | Weight | HA    | WA         | HB    | WB             | HC    | WC     | SIDE | TOP | BOTTOM |
| 10       | 12 | 6  | JL4SL101206  | 15     | 10.75 | 10         | 8.88  | 10.75          | 8.25  | 10.25  | 4    | 2   | 2      |
| 10       | 12 | 8  | JL4SL101208  | 17     | 10.75 | 10         | 8.88  | 10.75          | 8.25  | 10.25  | 4    | 2   | 2      |
| 10       | 14 | 6  | JL4SL101406  | 17     | 10.75 | 12         | 8.88  | 12.75          | 8.25  | 12.25  | 4    | 2   | 2      |
| 10       | 14 | 8  | JL4SL101408  | 19     | 10.75 | 12         | 8.88  | 12.75          | 8.25  | 12.25  | 4    | 2   | 2      |
| 10       | 16 | 6  | JL4SL101606  | 20     | 10.75 | 14         | 8.88  | 14.75          | 8.25  | 14.25  | 4    | 3   | 3      |
| 10       | 16 | 8  | JL4SL101608  | 22     | 10.75 | 14         | 8.88  | 14.75          | 8.25  | 14.25  | 4    | 3   | 3      |
| 12       | 6  | 4  | JL4SL120604  | 13     | 12.75 | 4          | 10.75 | 4.88           | 10.25 | 4.25   | 4    | 1   | 1      |
| 12       | 6  | 5  | JL4SL120605  | 14     | 12.75 | 4          | 10.75 | 4.88           | 10.25 | 4.25   | 4    | 1   | 1      |
| 12       | 8  | 4  | JL4SL120804  | 12     | 12.75 | 6          | 10.75 | 6.88           | 10.25 | 6.25   | 4    | 1   | 1      |
| 12       | 8  | 5  | JL4SL120805  | 13     | 12.75 | 6          | 10.75 | 6.88           | 10.25 | 6.25   | 4    | 1   | 1      |
| 12       | 8  | 6  | JL4SL120806  | 14     | 12.75 | 6          | 10.75 | 6.88           | 10.25 | 6.25   | 4    | 1   | 1      |
| 12       | 10 | 4  | JL4SL121004  | 13     | 12.75 | 8          | 10.75 | 8.88           | 10.25 | 8.25   | 4    | 2   | 2      |
| 12       | 10 | 5  | JL4SL121005  | 14     | 12.75 | 8          | 10.75 | 8.88           | 10.25 | 8.25   | 4    | 2   | 2      |
| 12       | 10 | 6  | JL4SL121006  | 15     | 12.75 | 8          | 10.75 | 8.88           | 10.25 | 8.25   | 4    | 2   | 2      |
| 12       | 10 | 8  | JL4SL121008  | 17     | 12.75 | 8          | 10.75 | 8.88           | 10.25 | 8.25   | 4    | 2   | 2      |
| 12       | 12 | 4  | JL4SL121204  | 16     | 12.75 | 10         | 10.75 | 10.88          | 10.25 | 10.25  | 4    | 2   | 2      |
| 12       | 12 | 5  | JL4SL121205  | 17     | 12.75 | 10         | 10.75 | 10.88          | 10.25 | 10.25  | 4    | 2   | 2      |
| 12       | 12 | 6  | JL4SL121206  | 18     | 12.75 | 10         | 10.75 | 10.88          | 10.25 | 10.25  | 4    | 2   | 2      |
| 12       | 12 | 8  | JL4SL121208  | 20     | 12.75 | 10         | 10.75 | 10.88          | 10.25 | 10.25  | 4    | 2   | 2      |
| 12       | 12 | 10 | JL4SL121210  | 22     | 12.75 | 10         | 10.75 | 10.88          | 10.25 | 10.25  | 4    | 2   | 2      |
| 12       | 14 | 6  | JL4SL121406  | 20     | 12.75 | 12         | 10.88 | 12.75          | 10.25 | 12.25  | 4    | 2   | 2      |
| 12       | 14 | 8  | JL4SL121408  | 22     | 12.75 | 12         | 10.88 | 12.75          | 10.25 | 12.25  | 4    | 2   | 2      |
| 12       | 14 | 10 | JL4SL121410  | 24     | 12.75 | 12         | 10.88 | 12.75          | 10.25 | 12.25  | 4    | 2   | 2      |
| 12       | 16 | 6  | JL4SL121606  | 22     | 12.75 | 14         | 10.88 | 14.75          | 10.25 | 14.25  | 4    | 3   | 3      |
| 12       | 16 | 8  | JL4SL121608  | 25     | 12.75 | 14         | 10.88 | 14.75          | 10.25 | 14.25  | 4    | 3   | 3      |
| 12       | 16 | 10 | JL4SL121610  | 27     | 12.75 | 14         | 10.88 | 14.75          | 10.25 | 14.25  | 4    | 3   | 3      |
| 14       | 8  | 6  | JL4SL140806  | 17     | 14.75 | 6          | 12.75 | 6.88           | 12.25 | 6.25   | 4    | 1   | 1      |
| 14       | 10 | 6  | JL4SL141006  | 17     | 14.75 | 8          | 12.75 | 8.88           | 12.25 | 8.25   | 4    | 2   | 2      |
| 14       | 10 | 8  | JL4SL141008  | 19     | 14.75 | 8          | 12.75 | 8.88           | 12.25 | 8.25   | 4    | 2   | 2      |
| 14       | 12 | 6  | JL4SL141206  | 20     | 14.75 | 10         | 12.75 | 10.88          | 12.25 | 10.25  | 4    | 2   | 2      |
| 14       | 12 | 8  | JL4SL141208  | 22     | 14.75 | 10         | 12.75 | 10.88          | 12.25 | 10.25  | 4    | 2   | 2      |
| 14       | 12 | 10 | JL4SL141210  | 24     | 14.75 | 10         | 12.75 | 10.88          | 12.25 | 10.25  | 4    | 2   | 2      |
| 14       | 14 | 6  | JL4SL141406  | 22     | 14.75 | 12         | 12.75 | 12.88          | 12.25 | 12.25  | 4    | 2   | 2      |
| 14       | 14 | 8  | JL4SL141408  | 25     | 14.75 | 12         | 12.75 | 12.88          | 12.25 | 12.25  | 4    | 2   | 2      |
| 14       | 14 | 10 | JL4SL141410  | 27     | 14.75 | 12         | 12.75 | 12.88          | 12.25 | 12.25  | 4    | 2   | 2      |
| 14       | 16 | 6  | JL4SL141606  | 23     | 14.75 | 14         | 12.88 | 14.75          | 12.25 | 14.25  | 4    | 3   | 3      |

**1-877-EDIRECT (334-7328)  
ENCLOSURES DIRECT INC.****FAX: (613) 723-4479  
sales@buyedi.com**



## NEMA 4X 316L STAINLESS STEEL JIC ENCLOSURE WITH LIFT-OFF COVER - SERIES JL4SL

| Box Size |    |    | Box Mounting |        |       | Plate size |       | Plate mounting |       | Clamps |      |     |        |
|----------|----|----|--------------|--------|-------|------------|-------|----------------|-------|--------|------|-----|--------|
| H        | W  | D  | Model        | Weight | HA    | WA         | HB    | WB             | HC    | WC     | SIDE | TOP | BOTTOM |
| 14       | 16 | 8  | JL4SL141608  | 26     | 14.75 | 14         | 12.88 | 14.75          | 12.25 | 14.25  | 4    | 3   | 3      |
| 14       | 16 | 10 | JL4SL141610  | 29     | 14.75 | 14         | 12.88 | 14.75          | 12.25 | 14.25  | 4    | 3   | 3      |
| 16       | 10 | 6  | JL4SL161006  | 20     | 16.75 | 8          | 14.75 | 8.88           | 14.25 | 8.25   | 6    | 2   | 2      |
| 16       | 10 | 8  | JL4SL161008  | 22     | 16.75 | 8          | 14.75 | 8.88           | 14.25 | 8.25   | 6    | 2   | 2      |
| 16       | 12 | 6  | JL4SL161206  | 22     | 16.75 | 10         | 14.75 | 10.88          | 14.25 | 10.25  | 6    | 2   | 2      |
| 16       | 12 | 8  | JL4SL161208  | 25     | 16.75 | 10         | 14.75 | 10.88          | 14.25 | 10.25  | 6    | 2   | 2      |
| 16       | 12 | 10 | JL4SL161210  | 27     | 16.75 | 10         | 14.75 | 10.88          | 14.25 | 10.25  | 6    | 2   | 2      |
| 16       | 14 | 6  | JL4SL161406  | 23     | 16.75 | 12         | 14.75 | 12.88          | 14.25 | 12.25  | 6    | 2   | 2      |
| 16       | 14 | 8  | JL4SL161408  | 26     | 16.75 | 12         | 14.75 | 12.88          | 14.25 | 12.25  | 6    | 2   | 2      |
| 16       | 14 | 10 | JL4SL161410  | 29     | 16.75 | 12         | 14.75 | 12.88          | 14.25 | 12.25  | 6    | 2   | 2      |

**1-877-EDIRECT (334-7328)**  
**ENCLOSURES DIRECT INC.**

**FAX: (613) 723-4479**  
**sales@buyedi.com**