

EDI

NEMA 4X 316L STAINLESS STEEL CONTEMPORARY ENCLOSURE, SERIES Q4SL

Application:

- Suitable for housing electrical and electronic controls, instrumentation, and related wiring
- Contemporary design with concealed hinges and quarter turn latches allows for easy access to internal components
- Designed for indoor or outdoor use and will protect components from dust, dirt, oil, hose directed water, and other contaminants in extremely corrosive environments or when sanitary conditions are a requirement

Enclosure features:

- Fabricated from 14 gauge 316L stainless steel with seam welds that are ground smooth
- Door is also fabricated from 14 gauge 316L stainless steel
- Door has concealed hinges and is held closed with one or more quarter turn latches
- Includes a removable 12 gauge steel sub plate
- Door gasket is seamless foam-in-place polyurethane
- Ground studs are included on both the door and enclosure body
- Enclosure exterior is polished to a #4 finish
- Sub plate is finished in a white polyester powder coating over a phosphated surface

Industry Standards:

- NEMA 4X
- CSA Type 4X
- UL Type 4X

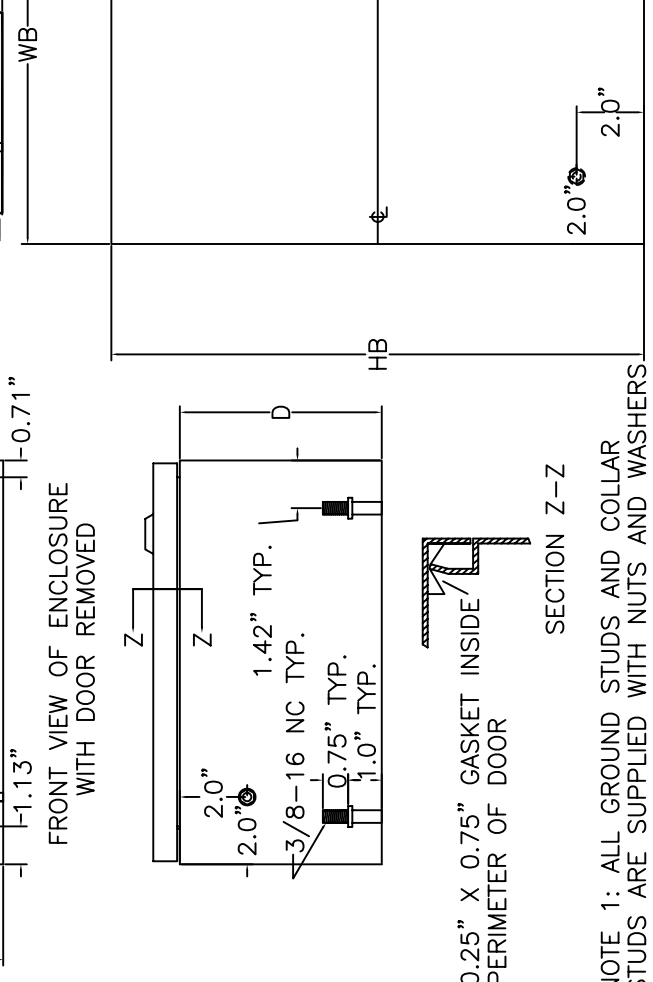
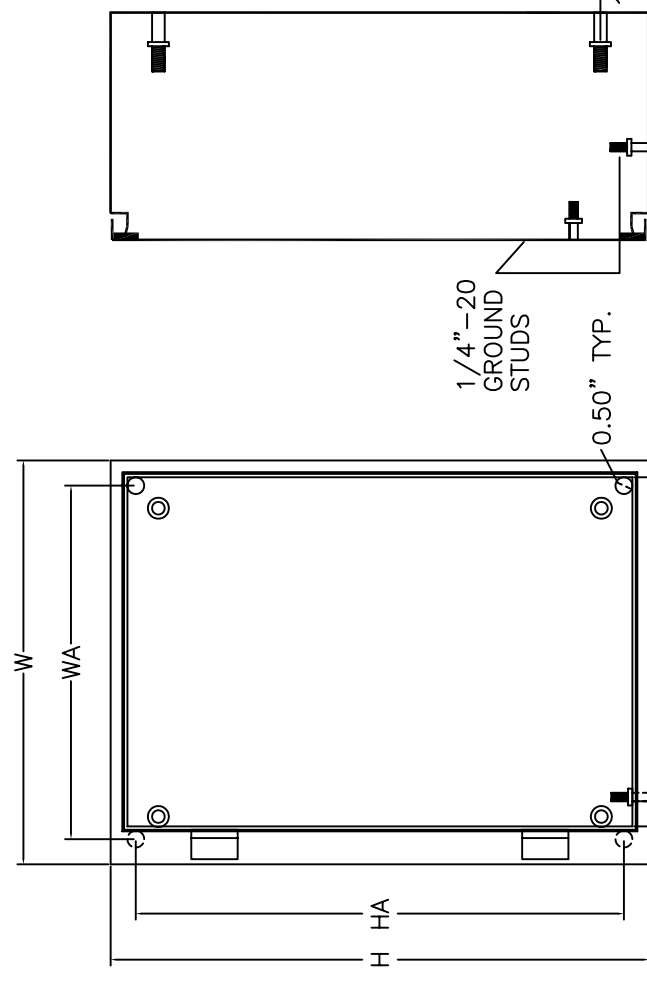
Approval:

- CSA NRTL/C approved
- UL approved

1-877-EDIRECT (334-7328)
ENCLOSURES DIRECT INC.

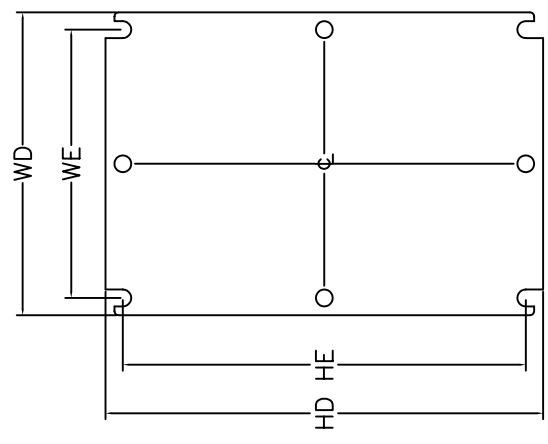
FAX: (613) 723-4479
sales@buyedi.com

THE SUB PLATE IS SUPPORTED INSIDE THE ENCLOSURE USING COLLAR STUDS. TYPICALLY THERE ARE TWO STUDS COMMON TO EACH SIDE UNLESS THE SUB PLATE SIDE IS LONGER THAN 28.2", IN WHICH CASE A THIRD STUD, CENTRED, IS ADDED. STIFFENING FOLDS ARE ADDED IF A SIDE IS LONGER THAN 22.2".



0.25" X 0.75" GASKET INSIDE PERIMETER OF DOOR

NOTE 1: ALL GROUND STUDS AND COLLAR STUDS ARE SUPPLIED WITH NUTS AND WASHERS



ENCLOSURES WITH A HEIGHT OF 20" OR LESS HAVE ONE LATCH CENTRED. ENCLOSURES WITH A HEIGHT GREATER THAN 20" HAVE TWO LATCHES LOCATED AT A DISTANCE HF FROM THE TOP AND BOTTOM OF THE ENCLOSURE BODY.

REV	DESCRIPTION	DATE	APPL
	EDJ		
NEMA 4X SS WALL MOUNT ENCLOSURE WITH QUARTER TURN LATCHING			
MODEL NUMBER SERIES Q4S AND Q4SL			

EDI

NEMA 4X 316L Stainless Steel Single Door Enclosure with Quarter Turn Latching - Series Q4SL

H	W	D	Model	Weight	HA	WA	HB	WB	HC	WC	HD	WD	HE	WE	HF	LATCHES
12	12	6	Q4SL121206	26	10.5	10.5	11.82	11.82	N/A	N/A	10.2	10.2	9.16	9.16	N/A	1
12	12	8	Q4SL121208	27	10.5	10.5	11.82	11.82	N/A	N/A	10.2	10.2	9.16	9.16	N/A	1
12	12	10	Q4SL121210	28	10.5	10.5	11.82	11.82	N/A	N/A	10.2	10.2	9.16	9.16	N/A	1
12	16	6	Q4SL121606	28	10.5	14.5	11.82	15.82	N/A	N/A	10.2	14.2	9.16	13.16	N/A	1
12	16	8	Q4SL121608	29	10.5	14.5	11.82	15.82	N/A	N/A	10.2	14.2	9.16	13.16	N/A	1
12	16	10	Q4SL121610	30	10.5	14.5	11.82	15.82	N/A	N/A	10.2	14.2	9.16	13.16	N/A	1
12	20	6	Q4SL122006	32	10.5	18.5	11.82	19.82	N/A	N/A	10.2	18.2	9.16	17.16	N/A	1
12	20	8	Q4SL122008	35	10.5	18.5	11.82	19.82	N/A	N/A	10.2	18.2	9.16	17.16	N/A	1
12	20	10	Q4SL122010	38	10.5	18.5	11.82	19.82	N/A	N/A	10.2	18.2	9.16	17.16	N/A	1
12	24	6	Q4SL122406	38	10.5	22.5	11.82	23.82	N/A	N/A	10.2	22.2	9.16	21.16	N/A	1
12	24	8	Q4SL122408	40	10.5	22.5	11.82	23.82	N/A	N/A	10.2	22.2	9.16	21.16	N/A	1
12	24	10	Q4SL122410	42	10.5	22.5	11.82	23.82	N/A	N/A	10.2	22.2	9.16	21.16	N/A	1
16	12	6	Q4SL161206	28	14.5	10.5	15.82	11.82	N/A	N/A	14.2	10.2	13.16	9.16	N/A	1
16	12	8	Q4SL161208	29	14.5	10.5	15.82	11.82	N/A	N/A	14.2	10.2	13.16	9.16	N/A	1
16	12	10	Q4SL161210	30	14.5	10.5	15.82	11.82	N/A	N/A	14.2	10.2	13.16	9.16	N/A	1
16	16	6	Q4SL161606	32	14.5	14.5	15.82	15.82	N/A	N/A	14.2	14.2	13.16	13.16	N/A	1
16	16	8	Q4SL161608	34	14.5	14.5	15.82	15.82	N/A	N/A	14.2	14.2	13.16	13.16	N/A	1
16	16	10	Q4SL161610	36	14.5	14.5	15.82	15.82	N/A	N/A	14.2	14.2	13.16	13.16	N/A	1
16	20	6	Q4SL162006	38	14.5	18.5	15.82	19.82	N/A	N/A	14.2	18.2	13.16	17.16	N/A	1
16	20	8	Q4SL162008	41	14.5	18.5	15.82	19.82	N/A	N/A	14.2	18.2	13.16	17.16	N/A	1

1-877-EDIRECT (334-7328)
ENCLOSURES DIRECT INC.

FAX: (613) 723-4479
sales@buyedi.com

EDI

NEMA 4X 316L Stainless Steel Single Door Enclosure with Quarter Turn Latching - Series Q4SL

H	W	D	Model	Weight	HA	WA	HB	WB	HC	WC	HD	WD	HE	WE	HF	LATCHES
16	20	10	Q4SL162010	44	14.5	18.5	15.82	19.82	N/A	N/A	14.2	18.2	13.16	17.16	N/A	1
16	24	6	Q4SL162406	46	14.5	22.5	15.82	23.82	N/A	N/A	14.2	22.2	13.16	21.16	N/A	1
16	24	8	Q4SL162408	50	14.5	22.5	15.82	23.82	N/A	N/A	14.2	22.2	13.16	21.16	N/A	1
16	24	10	Q4SL162410	54	14.5	22.5	15.82	23.82	N/A	N/A	14.2	22.2	13.16	21.16	N/A	1
20	12	6	Q4SL201206	32	18.5	10.5	19.82	11.82	N/A	N/A	18.2	10.2	17.16	9.16	N/A	1
20	12	8	Q4SL201208	35	18.5	10.5	19.82	11.82	N/A	N/A	18.2	10.2	17.16	9.16	N/A	1
20	12	10	Q4SL201210	38	18.5	10.5	19.82	11.82	N/A	N/A	18.2	10.2	17.16	9.16	N/A	1
20	16	6	Q4SL201606	38	18.5	14.5	19.82	15.82	N/A	N/A	18.2	14.2	17.16	13.16	N/A	1
20	16	8	Q4SL201608	41	18.5	14.5	19.82	15.82	N/A	N/A	18.2	14.2	17.16	13.16	N/A	1
20	16	10	Q4SL201610	44	18.5	14.5	19.82	15.82	N/A	N/A	18.2	14.2	17.16	13.16	N/A	1
20	20	6	Q4SL202006	48	18.5	18.5	19.82	19.82	N/A	N/A	18.2	18.2	17.16	17.16	N/A	1
20	20	8	Q4SL202008	50	18.5	18.5	19.82	19.82	N/A	N/A	18.2	18.2	17.16	17.16	N/A	1
20	20	10	Q4SL202010	52	18.5	18.5	19.82	19.82	N/A	N/A	18.2	18.2	17.16	17.16	N/A	1
20	24	6	Q4SL202406	54	18.5	22.5	19.82	23.82	N/A	N/A	18.2	22.2	17.16	21.16	N/A	1
20	24	8	Q4SL202408	58	18.5	22.5	19.82	23.82	N/A	N/A	18.2	22.2	17.16	21.16	N/A	1
20	24	10	Q4SL202410	64	18.5	22.5	19.82	23.82	N/A	N/A	18.2	22.2	17.16	21.16	N/A	1
20	30	6	Q4SL203006	66	18.5	28.5	19.82	29.82	N/A	N/A	18.2	28.2	17.16	27.16	N/A	1
20	30	8	Q4SL203008	70	18.5	28.5	19.82	29.82	N/A	N/A	18.2	28.2	17.16	27.16	N/A	1
20	30	10	Q4SL203010	76	18.5	28.5	19.82	29.82	N/A	N/A	18.2	28.2	17.16	27.16	N/A	1
20	30	12	Q4SL203012	82	18.5	28.5	19.82	29.82	N/A	N/A	18.2	28.2	17.16	27.16	N/A	1

1-877-EDIRECT (334-7328)
ENCLOSURES DIRECT INC.

FAX: (613) 723-4479
sales@buyedi.com

EDI

NEMA 4X 316L Stainless Steel Single Door Enclosure with Quarter Turn Latching - Series Q4SL

H	W	D	Model	Weight	HA	WA	HB	WB	HC	WC	HD	WD	HE	WE	HF	LATCHES
20	36	8	Q4SL203608	90	18.5	34.5	19.82	35.82	N/A	N/A	18.2	34.2	17.16	33.16	N/A	1
20	36	10	Q4SL203610	96	18.5	34.5	19.82	35.82	N/A	N/A	18.2	34.2	17.16	33.16	N/A	1
20	36	12	Q4SL203612	102	18.5	34.5	19.82	35.82	N/A	N/A	18.2	34.2	17.16	33.16	N/A	1
20	36	16	Q4SL203616	110	18.5	34.5	19.82	35.82	N/A	N/A	18.2	34.2	17.16	33.16	N/A	1
24	12	6	Q4SL241206	38	22.5	10.5	23.82	11.82	N/A	N/A	22.2	10.2	21.16	9.16	5	2
24	12	8	Q4SL241208	40	22.5	10.5	23.82	11.82	N/A	N/A	22.2	10.2	21.16	9.16	5	2
24	12	10	Q4SL241210	42	22.5	10.5	23.82	11.82	N/A	N/A	22.2	10.2	21.16	9.16	5	2
24	16	6	Q4SL241606	46	22.5	14.5	23.82	15.82	N/A	N/A	22.2	14.2	21.16	13.16	5	2
24	16	8	Q4SL241608	50	22.5	14.5	23.82	15.82	N/A	N/A	22.2	14.2	21.16	13.16	5	2
24	16	10	Q4SL241610	54	22.5	14.5	23.82	15.82	N/A	N/A	22.2	14.2	21.16	13.16	5	2
24	20	6	Q4SL242006	54	22.5	18.5	23.82	19.82	N/A	N/A	22.2	18.2	21.16	17.16	5	2
24	20	8	Q4SL242008	58	22.5	18.5	23.82	19.82	N/A	N/A	22.2	18.2	21.16	17.16	5	2
24	20	10	Q4SL242010	64	22.5	18.5	23.82	19.82	N/A	N/A	22.2	18.2	21.16	17.16	5	2
24	24	6	Q4SL242406	62	22.5	22.5	23.82	23.82	N/A	N/A	22.2	22.2	21.16	21.16	5	2
24	24	8	Q4SL242408	68	22.5	22.5	23.82	23.82	N/A	N/A	22.2	22.2	21.16	21.16	5	2
24	24	10	Q4SL242410	73	22.5	22.5	23.82	23.82	N/A	N/A	22.2	22.2	21.16	21.16	5	2
24	24	12	Q4SL242412	75	22.5	22.5	23.82	23.82	N/A	N/A	22.2	22.2	21.16	21.16	5	2
24	30	6	Q4SL243006	76	22.5	28.5	23.82	29.82	N/A	N/A	22.2	28.2	21.16	27.16	5	2
24	30	8	Q4SL243008	82	22.5	28.5	23.82	29.82	N/A	N/A	22.2	28.2	21.16	27.16	5	2
24	30	10	Q4SL243010	86	22.5	28.5	23.82	29.82	N/A	N/A	22.2	28.2	21.16	27.16	5	2

1-877-EDIRECT (334-7328)
ENCLOSURES DIRECT INC.

FAX: (613) 723-4479
sales@buyedi.com

EDI

NEMA 4X 316L Stainless Steel Single Door Enclosure with Quarter Turn Latching - Series Q4SL

H	W	D	Model	Weight	HA	WA	HB	WB	HC	WC	HD	WD	HE	WE	HF	LATCHES
24	30	12	Q4SL243012	85	22.5	28.5	23.82	29.82	N/A	N/A	22.2	28.2	21.16	27.16	5	2
24	36	8	Q4SL243608	96	22.5	34.5	23.82	35.82	N/A	N/A	22.2	34.2	21.16	33.16	5	2
24	36	10	Q4SL243610	105	22.5	34.5	23.82	35.82	N/A	N/A	22.2	34.2	21.16	33.16	5	2
24	36	12	Q4SL243612	108	22.5	34.5	23.82	35.82	N/A	N/A	22.2	34.2	21.16	33.16	5	2
24	36	16	Q4SL243616	112	22.5	34.5	23.82	35.82	N/A	N/A	22.2	34.2	21.16	33.16	5	2
30	16	6	Q4SL301606	56	28.5	14.5	29.82	15.82	N/A	N/A	28.2	14.2	27.16	13.16	5	2
30	16	8	Q4SL301608	60	28.5	14.5	29.82	15.82	N/A	N/A	28.2	14.2	27.16	13.16	5	2
30	16	10	Q4SL301610	64	28.5	14.5	29.82	15.82	N/A	N/A	28.2	14.2	27.16	13.16	5	2
30	16	12	Q4SL301612	68	28.5	14.5	29.82	15.82	N/A	N/A	28.2	14.2	27.16	13.16	5	2
30	20	6	Q4SL302006	66	28.5	18.5	29.82	19.82	N/A	N/A	28.2	18.2	27.16	17.16	5	2
30	20	8	Q4SL302008	70	28.5	18.5	29.82	19.82	N/A	N/A	28.2	18.2	27.16	17.16	5	2
30	20	10	Q4SL302010	76	28.5	18.5	29.82	19.82	N/A	N/A	28.2	18.2	27.16	17.16	5	2
30	20	12	Q4SL302012	82	28.5	18.5	29.82	19.82	N/A	N/A	28.2	18.2	27.16	17.16	5	2
30	24	6	Q4SL302406	76	28.5	22.5	29.82	23.82	N/A	N/A	28.2	22.2	27.16	21.16	5	2
30	24	8	Q4SL302408	82	28.5	22.5	29.82	23.82	N/A	N/A	28.2	22.2	27.16	21.16	5	2
30	24	10	Q4SL302410	86	28.5	22.5	29.82	23.82	N/A	N/A	28.2	22.2	27.16	21.16	5	2
30	24	12	Q4SL302412	90	28.5	22.5	29.82	23.82	N/A	N/A	28.2	22.2	27.16	21.16	5	2
30	30	6	Q4SL303006	96	28.5	28.5	29.82	29.82	N/A	N/A	28.2	28.2	27.16	27.16	5	2
30	30	8	Q4SL303008	102	28.5	28.5	29.82	29.82	N/A	N/A	28.2	28.2	27.16	27.16	5	2
30	30	10	Q4SL303010	108	28.5	28.5	29.82	29.82	N/A	N/A	28.2	28.2	27.16	27.16	5	2

1-877-EDIRECT (334-7328)
ENCLOSURES DIRECT INC.

FAX: (613) 723-4479
sales@buyedi.com

EDI

NEMA 4X 316L Stainless Steel Single Door Enclosure with Quarter Turn Latching - Series Q4SL

H	W	D	Model	Weight	HA	WA	HB	WB	HC	WC	HD	WD	HE	WE	HF	LATCHES
30	30	12	Q4SL303012	114	28.5	28.5	29.82	29.82	N/A	N/A	28.2	28.2	27.16	27.16	5	2
30	36	8	Q4SL303608	120	28.5	34.5	29.82	35.82	N/A	N/A	28.2	34.2	27.16	33.16	5	2
30	36	10	Q4SL303610	124	28.5	34.5	29.82	35.82	N/A	N/A	28.2	34.2	27.16	33.16	5	2
30	36	12	Q4SL303612	132	28.5	34.5	29.82	35.82	N/A	N/A	28.2	34.2	27.16	33.16	5	2
30	36	16	Q4SL303616	140	28.5	34.5	29.82	35.82	N/A	N/A	28.2	34.2	27.16	33.16	5	2
36	20	8	Q4SL362008	90	34.5	18.5	35.82	19.82	N/A	N/A	34.2	18.2	33.16	17.16	5	2
36	20	10	Q4SL362010	96	34.5	18.5	35.82	19.82	N/A	N/A	34.2	18.2	33.16	17.16	5	2
36	20	12	Q4SL362012	102	34.5	18.5	35.82	19.82	N/A	N/A	34.2	18.2	33.16	17.16	5	2
36	20	16	Q4SL362016	110	34.5	18.5	35.82	19.82	N/A	N/A	34.2	18.2	33.16	17.16	5	2
36	24	8	Q4SL362408	96	34.5	22.5	35.82	23.82	N/A	N/A	34.2	22.2	33.16	21.16	5	2
36	24	10	Q4SL362410	105	34.5	22.5	35.82	23.82	N/A	N/A	34.2	22.2	33.16	21.16	5	2
36	24	12	Q4SL362412	108	34.5	22.5	35.82	23.82	N/A	N/A	34.2	22.2	33.16	21.16	5	2
36	24	16	Q4SL362416	112	34.5	22.5	35.82	23.82	N/A	N/A	34.2	22.2	33.16	21.16	5	2
36	30	8	Q4SL363008	120	34.5	28.5	35.82	29.82	N/A	N/A	34.2	28.2	33.16	27.16	5	2
36	30	10	Q4SL363010	124	34.5	28.5	35.82	29.82	N/A	N/A	34.2	28.2	33.16	27.16	5	2
36	30	12	Q4SL363012	132	34.5	28.5	35.82	29.82	N/A	N/A	34.2	28.2	33.16	27.16	5	2
36	30	16	Q4SL363016	140	34.5	28.5	35.82	29.82	N/A	N/A	34.2	28.2	33.16	27.16	5	2
36	36	8	Q4SL363608	142	34.5	34.5	35.82	35.82	N/A	N/A	34.2	34.2	33.16	33.16	5	2
36	36	10	Q4SL363610	148	34.5	34.5	35.82	35.82	N/A	N/A	34.2	34.2	33.16	33.16	5	2
36	36	12	Q4SL363612	156	34.5	34.5	35.82	35.82	N/A	N/A	34.2	34.2	33.16	33.16	5	2

1-877-EDIRECT (334-7328)
ENCLOSURES DIRECT INC.

FAX: (613) 723-4479
sales@buyedi.com

EDI

NEMA 4X 316L Stainless Steel Single Door Enclosure with Quarter Turn Latching - Series Q4SL

H	W	D	Model	Weight	HA	WA	HB	WB	HC	WC	HD	WD	HE	WE	HF	LATCHES
36	36	16	Q4SL363616	166	34.5	34.5	35.82	35.82	N/A	N/A	34.2	34.2	33.16	33.16	5	2
42	24	8	Q4SL422408	110	40.5	22.5	41.82	23.82	40	21.18	40.2	22.2	39.16	21.16	6	3
42	24	10	Q4SL422410	116	40.5	22.5	41.82	23.82	40	21.18	40.2	22.2	39.16	21.16	6	3
42	24	12	Q4SL422412	124	40.5	22.5	41.82	23.82	40	21.18	40.2	22.2	39.16	21.16	6	3
42	24	16	Q4SL422416	134	40.5	22.5	41.82	23.82	40	21.18	40.2	22.2	39.16	21.16	6	3
42	30	8	Q4SL423008	132	40.5	28.5	41.82	29.82	40	27.18	40.2	28.2	39.16	27.16	6	3
42	30	10	Q4SL423010	140	40.5	28.5	41.82	29.82	40	27.18	40.2	28.2	39.16	27.16	6	3
42	30	12	Q4SL423012	150	40.5	28.5	41.82	29.82	40	27.18	40.2	28.2	39.16	27.16	6	3
42	30	16	Q4SL423016	162	40.5	28.5	41.82	29.82	40	27.18	40.2	28.2	39.16	27.16	6	3
42	36	8	Q4SL423608	182	40.5	34.5	41.82	35.82	40	33.18	40.2	34.2	39.16	33.16	6	3
42	36	10	Q4SL423610	192	40.5	34.5	41.82	35.82	40	33.18	40.2	34.2	39.16	33.16	6	3
42	36	12	Q4SL423612	198	40.5	34.5	41.82	35.82	40	33.18	40.2	34.2	39.16	33.16	6	3
42	36	16	Q4SL423616	214	40.5	34.5	41.82	35.82	40	33.18	40.2	34.2	39.16	33.16	6	3
48	24	8	Q4SL482408	122	46.5	22.5	47.82	23.82	46	21.18	46.2	22.2	45.16	21.16	7	3
48	24	10	Q4SL482410	131	46.5	22.5	47.82	23.82	46	21.18	46.2	22.2	45.16	21.16	7	3
48	24	12	Q4SL482412	143	46.5	22.5	47.82	23.82	46	21.18	46.2	22.2	45.16	21.16	7	3
48	24	16	Q4SL482416	157	46.5	22.5	47.82	23.82	46	21.18	46.2	22.2	45.16	21.16	7	3
48	30	8	Q4SL483008	162	46.5	28.5	47.82	29.82	46	27.18	46.2	28.2	45.16	27.16	7	3
48	30	10	Q4SL483010	173	46.5	28.5	47.82	29.82	46	27.18	46.2	28.2	45.16	27.16	7	3
48	30	12	Q4SL483012	187	46.5	28.5	47.82	29.82	46	27.18	46.2	28.2	45.16	27.16	7	3

1-877-EDIRECT (334-7328)
ENCLOSURES DIRECT INC.

FAX: (613) 723-4479
sales@buyedi.com

The logo for EDI, consisting of the letters 'EDI' in a bold, white, sans-serif font, centered within a black square with a white border.

NEMA 4X 316L Stainless Steel Single Door Enclosure with Quarter Turn Latching - Series Q4SL

H	W	D	Model	Weight	HA	WA	HB	WB	HC	WC	HD	WD	HE	WE	HF	LATCHES
48	30	16	Q4SL483016	204	46.5	28.5	47.82	29.82	46	27.18	46.2	28.2	45.16	27.16	7	3
48	36	8	Q4SL483608	201	46.5	34.5	47.82	35.82	46	33.18	46.2	34.2	45.16	33.16	7	3
48	36	10	Q4SL483610	208	46.5	34.5	47.82	35.82	46	33.18	46.2	34.2	45.16	33.16	7	3
48	36	12	Q4SL483612	222	46.5	34.5	47.82	35.82	46	33.18	46.2	34.2	45.16	33.16	7	3
48	36	16	Q4SL483616	238	46.5	34.5	47.82	35.82	46	33.18	46.2	34.2	45.16	33.16	7	3

1-877-EDIRECT (334-7328)
ENCLOSURES DIRECT INC.

FAX: (613) 723-4479
sales@buyedi.com